

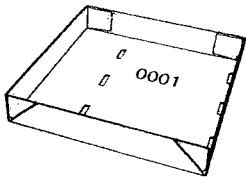
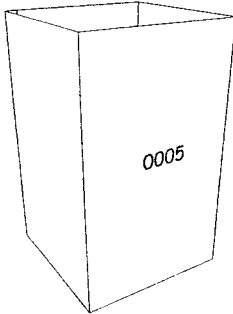
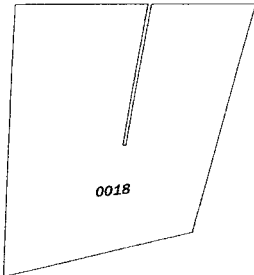
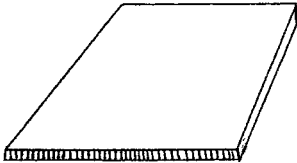
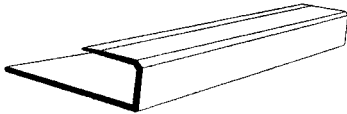
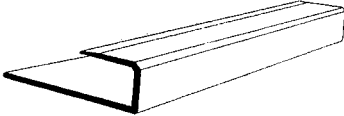
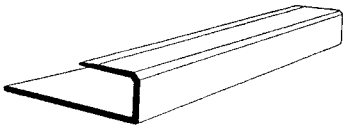
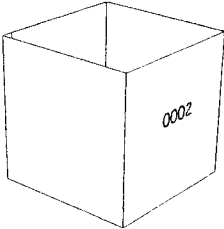
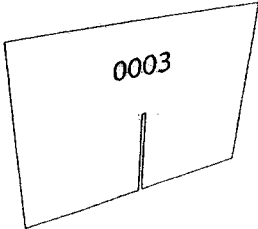
Congratulations on purchasing NextStage Furniture products! You've made a wise investment. Our products will save you money and time, while helping you gain an edge in the extremely competitive real estate market.

Warning - NextStage Furniture products are not intended for use as actual furniture. They are for decorative purposes only. It is important that you take appropriate steps to insure that there are adequate warnings on the product that state the product is for decorative purposes only and is not intended to be used as actual furniture. You must place the warning tent cards that accompany this product on or near the product so that the general public is made aware that the product is for decorative purposes only and is not intended to be used as actual furniture. Further, you must display the caution sign that accompanies this product in a prominent place within the property.

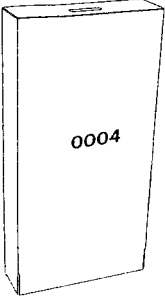
Product Assembly Instructions

These easy to follow instructions will demonstrate the assembly steps for the NextStage Furniture Dining Table and Dining Chairs.

Parts List

<p>Part #0001 - Top/Bottom Cover</p>  <p>Dining Table x 6 Dining Set x 14</p>	<p>Part #0005 - 30" Tube</p>  <p>Dining Table x 3 Dining Set x 3</p>	<p>Part #0018 - 30" Support</p>  <p>Dining Table x 6 Dining Set x 6</p>
<p>Part #0006 - Plastic Table Leaf</p>  <p>Dining Table x 4 Dining Set x 4</p>	<p>Part #0007 - 33" Table Edge</p>  <p>Dining Table x 4 Dining Set x 4</p>	<p>Part #0008 - 22" Table Edge</p>  <p>Dining Table x 2 Dining Set x 2</p>
<p>Part #0046 - 39" Table Edge</p>  <p>Dining Table x 2 Dining Set x 2</p>	<p>Part #0002 - 18" Tube</p>  <p>Dining Table x 0 Dining Set x 4</p>	<p>Part #0003 - 18" Support</p>  <p>Dining Table x 0 Dining Set x 8</p>

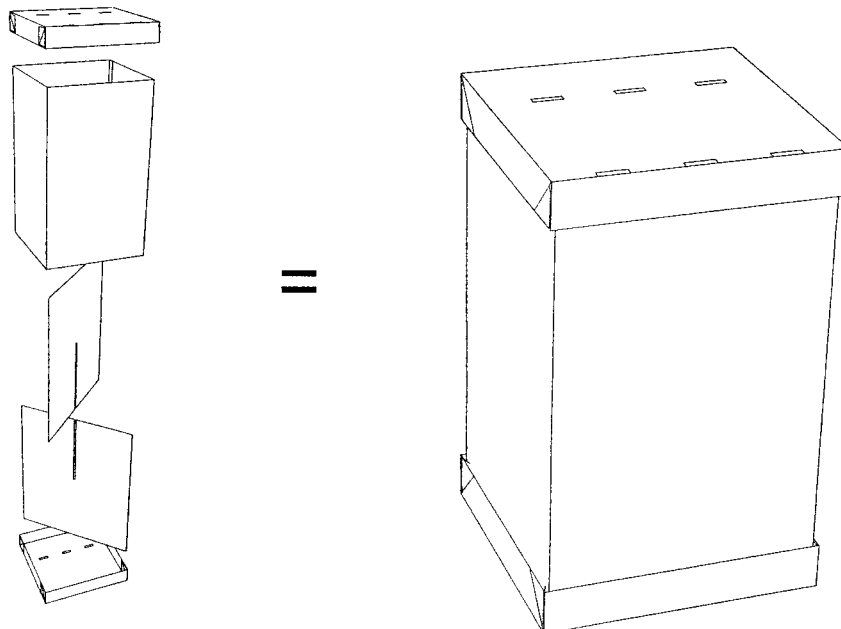
Parts List Cont.

<p>Part #0004 - Chair Back</p>  <p>Dining Table x 0 Dining Set x 4</p>	<p>Part #0035 - Dining Table Base Slipcover</p> <p>Dining Table x 3 Dining Set x 3</p> <hr/> <p>Part #0034 - Dining Chair Slipcover</p> <p>Dining Table x 0 Dining Set x 4</p>
--	--

Step 1 (Steps 1-5 demonstrate the assembly of the NextStage Furniture Dining Table. Steps 6-10 demonstrate the assembly of the NextStage Furniture Dining Chairs)

Hint - When assembling your NextStage Furniture products for the first time, be careful to bend the corrugated parts only on the pre-scored folds.

No tools are required for the assembly of your NextStage Furniture Dining Table, but you may find a tape measure useful. Assemble the Table Base Cubes by first opening the 30" Tube (Part #0005) so that it becomes square on the open ends. Place one Top/Bottom Cover (Part #0001) over one end of Part #0005. Turn the partially assembled cube over so that Part #0001 is on the floor. Diagonally place one 30" Support (Part #0018) into the open end of the cube with the notch toward the top. Diagonally place another 30" Support (Part #0018) into the cube with the notch toward the bottom. The notches on each support will interlock. Place another Top/Bottom Cover (Part #0001) over the open end of the cube. Repeat this process 2 times if creating a 42" x 66" Table or 3 times if creating a 42" x 88" Table. See figure below.



Step 2

Slide the fitted slipcover (Part #0035) over the erected table base cube. Repeat as necessary.

Step 3

Use a steamer to remove any wrinkles in the Table Base Slipcovers.

Hint - We have specifically chosen fabrics for our slipcovers that reduce the amount of wrinkling during storage, but some wrinkles are normal. Be careful not to steam any particular area on the slipcover to the point at which the corrugate parts under the slipcover become overly moist. Doing so could damage the corrugated part.

Step 4

Hint - Keep the tube and plastic end caps in which your Aluminum Table Edges were shipped. Use the tube and caps for storage and transport of the Table Edges within the supplied weather resistant tote bag. Doing so will ensure the table edges will not pierce the tote bag.

To create a 42" x 44" Table: Place two Plastic Table Leaves (Part #0006) on the floor with the 42" sides butted up to one another. Slide one 33" Table Edge (Part #0007) onto the table leaves and center it across the joint where the two leaves meet. Center another 33" Table Edge onto the opposite side of the two table leaves. Slide one 39" Table Edge (Part #0046) onto each 42" edge of the table top. Carefully pick up the assembled table top, and center it on top of the previously assembled table base cube. Figure 1 below shows the Table Leaves and Table Edges configuration. Figure 2 below shows the assembled Table Top and Table Base configuration. You may need to re-center the Table Base Cube underneath the Table Top after assembly is complete.

Figure 1

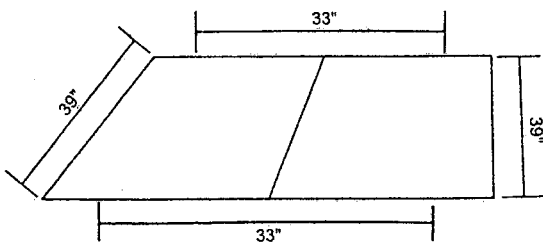
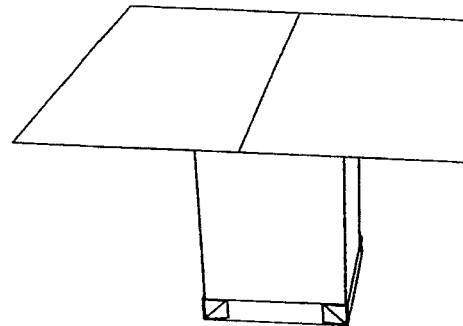


Figure 2



Step 5

Accessorize your assembled NextStage Furniture Dining Table with a table covering. The addition of a table runner and centerpiece is a great way to finish off your accessorizing.

Step 6

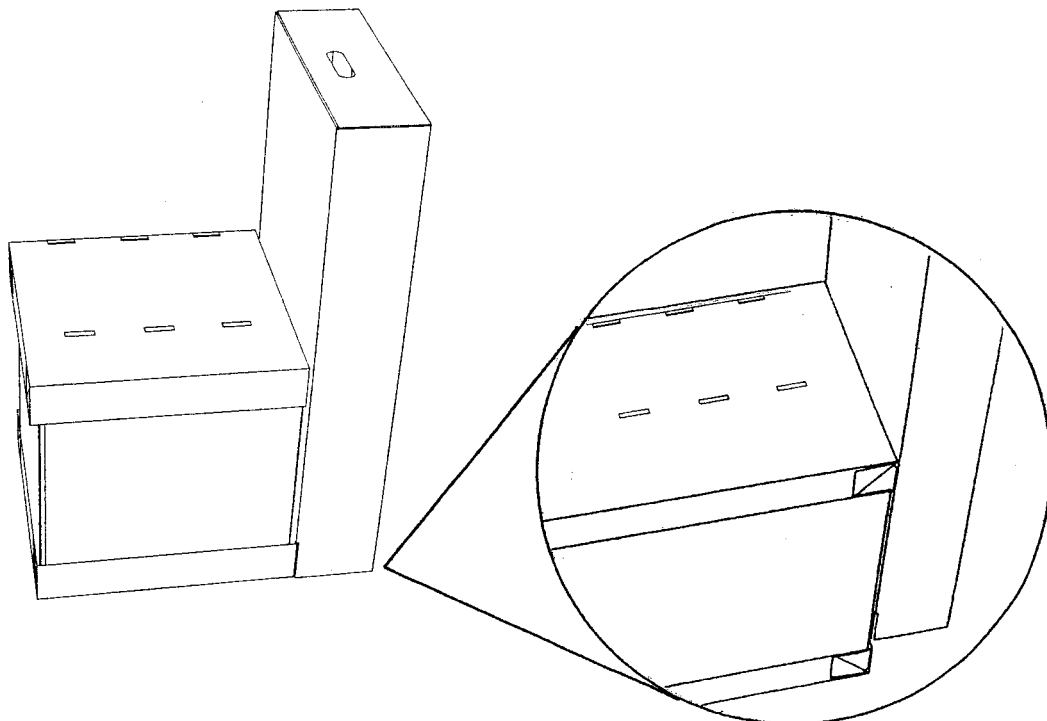
Assemble the 18" Base Cubes by first opening the 18" Tube (Part #0002) so that it becomes square on the open ends. Place one Top/Bottom Cover (Part #0001) over one end of Part #0002. Turn the partially assemble cube over so that Part #0001 is on the floor. Diagonally place one 18" Support (Part #0003) into the open end of the cube with the notch toward the top of the cube. Diagonally place another 18" Support (Part #0003) into the cube with the notch toward the bottom of the cube. The notches on each support will interlock. Place another Top/Bottom Cover (Part #0001) over the open end of the cube. Repeat this process for each chair you wish to assemble.

Step 7

Erect the Chair Back (Part #0004) by opening the tube, folding the two minor flaps inward, folding the major flap inward, and inserting the end of the major flap into the open end of the tube. Repeat this process for each chair you wish to assemble.

Step 8

Insert the tab at the bottom of the Chair Back (Part #0004) between the 18" Tube (Part #0002) and the Top/Bottom Cover (Part #0001) of one of the previously assembled 18" Cubes. Repeat this process for each chair you wish to assemble. See figures below.



To create a 42" x 66" Table: Place two Plastic Table Leaves (Part #0006) on the floor with the 42" sides butted up to one another. Slide one 33" Table Edge (Part #0007) onto the Table Leaves so that the Table Edge covers all of one of the Table Leaves and ½ of the other Table Leaf. Slide another 33" Table Edge onto the opposite side of the Table Top. Carefully pick up the partially assembled Table Top, and center it on top of one of the previously assembled Table Base Cubes. Place another Table Base Cube under the edge of the partially assembled Table Top so that ½ of the Table Base Cube is under the Table Top. Place a third Table Leaf onto the exposed ½ of the second Table Base Cube and secure it to the partially assembled Table Top with another 33" Table Edge. Slide another 33" Table Edge onto the opposite side of the Table Top. Slide a 39" Table Edge (Part #0046) onto each 42" end of the Table Top. Figure 1 below shows the Table Leaves and Table Edges configuration. Figure 2 below shows the assembled Table Top and Table Base configuration. You may need to re-center the Table Base Cubes underneath the Table Top after assembly is complete.

Figure 1

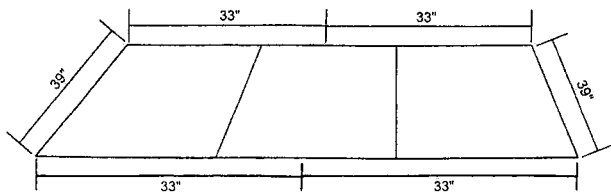
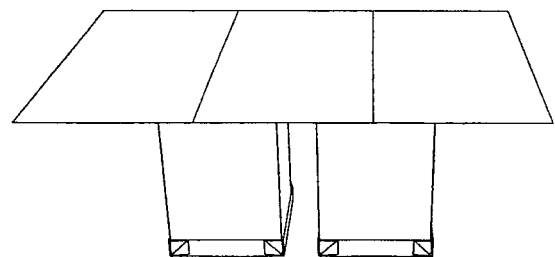


Figure 2



To create a 42" x 88" Table: Place two Plastic Table Leaves (Part #0006) on the floor with the 42" sides butted up to one another. Slide one 33" Table Edge (Part #0007) onto the Table Leaves so that the Table Edge covers all of one of the Table Leaves and ½ of the other Table Leaf. Slide another 33" Table Edge onto the opposite side of the table top. Carefully pick up the partially assembled Table Top, and center it on top of one of the previously assembled Table Base Cubes. Place another Table Base Cube under the edge of the partially assembled Table Top so that ½ of the Table Base Cube is under the Table Top. Place a third Table Leaf onto the exposed ½ of the second Table Base Cube and secure it to the partially assembled Table Top with a 22" Table Edge (Part #0008). Slide another 22" Table Edge onto the opposite side of the Table Top. Place another Table Base Cube under the edge of the partially assembled Table Top so that ½ of the Table Base Cube is under the Table Top. Place a fourth Table Leaf onto the exposed ½ of the third Table Base Cube and secure it to the partially assembled Table Top with a 33" Table Edge. Slide another 33" Table Edge onto the opposite side of the Table Top. Slide a 39" Table Edge (Part #0046) onto each 42" end of the Table Top. Figure 1 below shows the Table Leaves and Table Edges configuration. Figure 2 below shows the assembled Table Top and Table Base configuration. You may need to re-center the Table Base Cubes underneath the Table Top after assembly is complete.

Figure 1

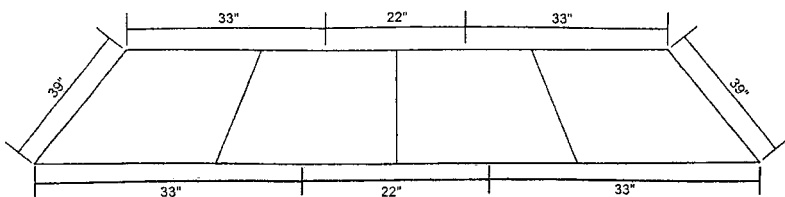
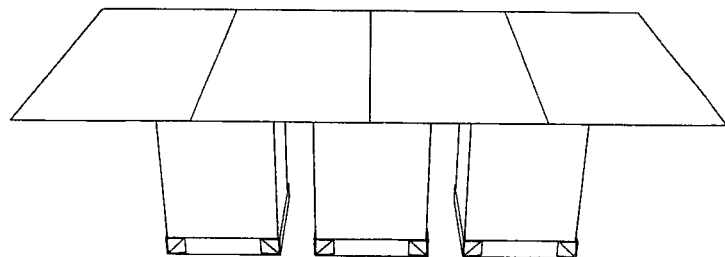


Figure 2



Step 9

Slide the fitted slipcover (Part #0034) over the entire erected and assembled corrugated structure.

Hint - Start by sliding the back of the slipcover over the back of the corrugated structure and work your way toward the front. You may need to realign the corrugated pieces under the slipcover after you have completed this step.

Step 10

Use a steamer to remove any wrinkles in the slipcovers.

Hint - We have specifically chosen fabrics for our slipcovers that reduce the amount of wrinkling during storage, but some wrinkles are normal. Be careful not to steam any particular area on the slipcover to the point at which the corrugate parts under the slipcover become overly moist. Doing so could damage the corrugated part. When not in use, we recommend always keeping your NextStage Furniture organized in the supplied weather resistant tote bags, and using the supplied plastic bag tags to label your products for easy identification.

If parts are missing or damaged please contact us at info@NextStageFurniture.com or call (877)371-4551