



*Solutions for Real Estate Staging*

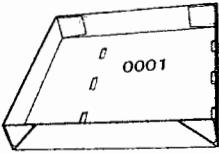
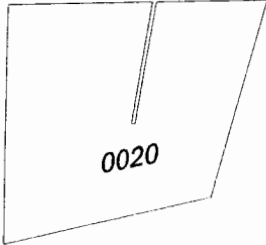
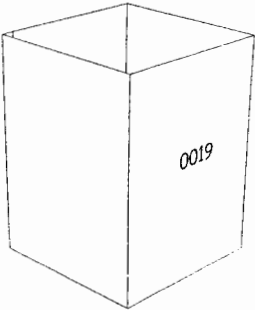
Congratulations on purchasing NextStage Furniture products! You've made a wise investment. Our products will save you money and time, while helping you gain an edge in the extremely competitive real estate market.

**\*Warning\*** - NextStage Furniture products are not intended for use as actual furniture. They are for decorative purposes only. It is important that you take appropriate steps to insure that there are adequate warnings on the product that state the product is for decorative purposes only and is not intended to be used as actual furniture. You must place the warning tent cards that accompany this product on or near the product so that the general public is made aware that the product is for decorative purposes only and is not intended to be used as actual furniture. Further, you must display the caution sign that accompanies this product in a prominent place within the property.

**Product Assembly Instructions**

These easy to follow instructions will demonstrate the assembly steps for the NextStage Furniture End Tables.

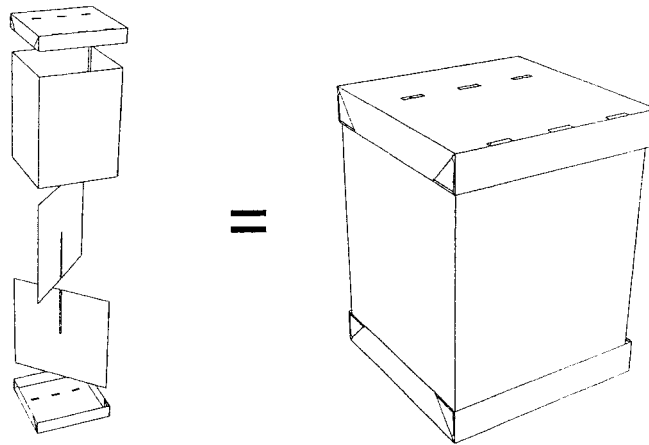
**Parts List**

<p><b>Part #0001 - Top/Bottom Cover</b></p>  <p>4 Each</p>	<p><b>Part #0019 - 24" Tube</b></p>  <p>2 Each</p>
<p><b>Part #0020 - 24" Support</b></p>  <p>4 Each</p>	<p><b>Part #0033 - End Table Slipcovers</b></p> <p>2 Each</p>

## Step 1

**\*Hint\*** - When assembling your NextStage Furniture products for the first time, be careful to bend the corrugated parts only on the pre-scored folds.

Assemble the 24" Cubes by first opening the 24" Tube (Part #0019) so that it becomes square on the open ends. Place one Top/Bottom Cover (Part #0001) over one end of Part #0019. Turn the partially assembled cube over so that Part #0001 is on the floor. Diagonally place one 24" Support (Part #0020) into the open end of the cube with the notch toward the top of the cube. Diagonally place another 24" Support into the cube with the notch toward the bottom of the cube. The notches on each support will interlock. Place another Top/Bottom Cover (Part #0001) over the open end of the cube. Repeat this process for each End Table you wish to assemble. See figure below.



## Step 2

Slide the fitted slipcover (Part #0033) over the entire erected and assembled corrugated structure.

## Step 3

Use a steamer to remove any wrinkles in the slipcovers.

**\*Hint\*** - We have specifically chosen fabrics for our slipcovers that reduce the amount of wrinkling during storage, but some wrinkles are normal. Be careful not to steam any particular area on the slipcover to the point at which the corrugate parts under the slipcover become overly moist. Doing so could damage the corrugated part.

## Step 4

Accessorize your assembled NextStage Furniture.

**\*Hint\*** - The addition of books and table lamps is an excellent way to make your NextStage Furniture End Tables look their best. When not in use, we recommend always keeping your NextStage Furniture organized in the supplied weather resistant tote bags, and using the supplied plastic bag tags to label your products for easy identification.

If parts are missing or damaged please contact us at [info@NextStageFurniture.com](mailto:info@NextStageFurniture.com) or call (877)371-4551